

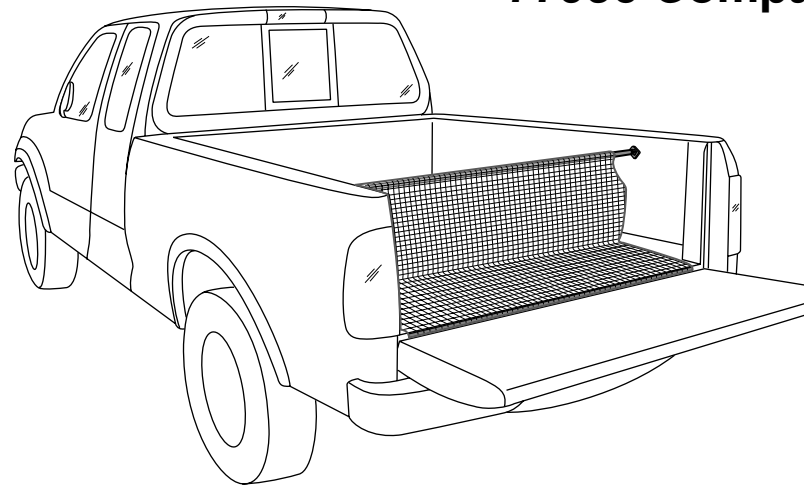


# Cargo Catcher Installation Instructions



**For: Passenger Truck**

**Part Number: 77900 Full Size  
77950 Compact Size**



## WARNING

This product is designed to enhance the appearance of the vehicle. Do not rely in any way on the components of this product to contain occupants or cargo within the vehicle, or to protect against injury or death in the event of an accident. Never operate vehicle in excess of manufacturer's specifications.

### WEAR SEAT BELTS AT ALL TIMES

Read and follow, precisely, all installation instructions provided when installing this product. Failure to do so could place occupants or cargo of the vehicle in a potentially dangerous situation. After installing or reinstalling, check to make sure it has been properly installed.

### Parts List

Cargo Catcher Fabric, Qty - 1  
Universal Cargo Bar, Qty - 1  
1" Adhesive Hook Strip, Qty - 1

### Tools Needed

50/50 Alcohol/ Water Solution  
Soft Cloth  
Scissors  
Safety Glasses

# Installation

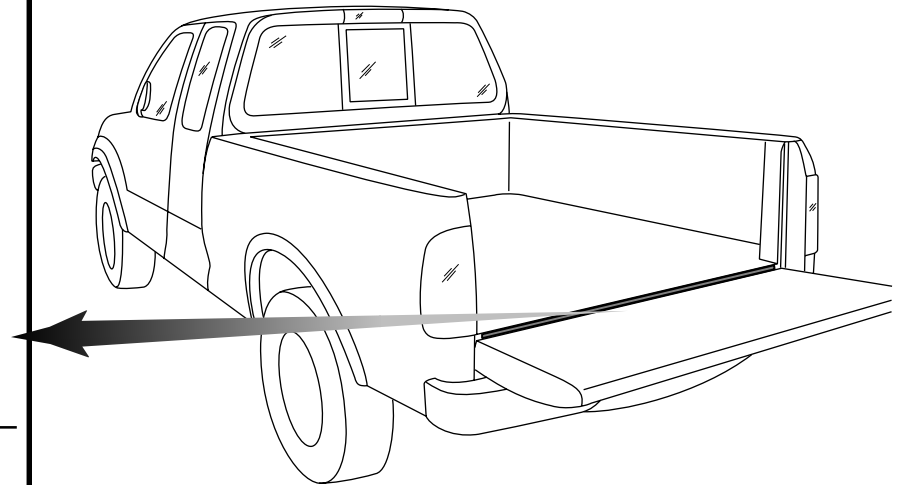
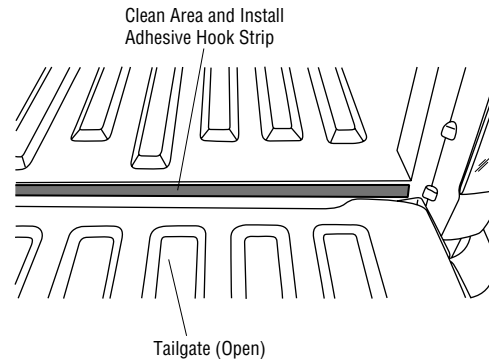
## Step One

### Install Adhesive Hook Strip.

Open the tailgate of the vehicle. The Adhesive Hook Strip will be placed on the vertical edge of the tailgate opening below the truck bed.

Use a 50/50 solution of alcohol and water to clean the location for the Adhesive Hook Strip. Be sure to remove all dirt, silicone Sealants, wax, and any other substances which might prevent the adhesive from sticking to the paint. Make sure that it is dry.

Install the Adhesive Hook Strip on the vehicle. Work from one side of the vehicle to the other, pulling about 3" of the backing off the strip and pressing the strip firmly into place. Cut off any excess.

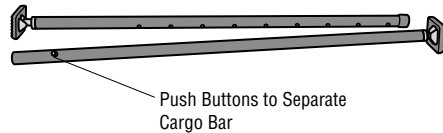


**Note:** Do not attempt to install the Adhesive Hook in temperatures of less than 60 F. The adhesive backing will fully set within 72 hours of installation. You may install the catcher after one hour, but you should avoid unnecessary fastening and unfastening of the fabric for 72 hours.

## Step Two

### Separate the Universal Cargo Bar.

To separate the bar, push both of the push buttons in and turn the bar slightly so that the buttons will not engage. Then pull the pieces apart.

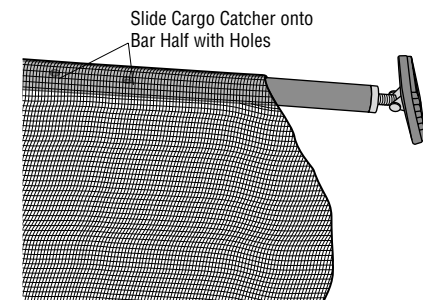


## Step Three

### Install the Cargo Catcher Fabric on the Universal Cargo Bar.

Orient the Cargo Catcher Fabric with the pocket along the top. Slide the pocket onto the half of the bar with the holes.

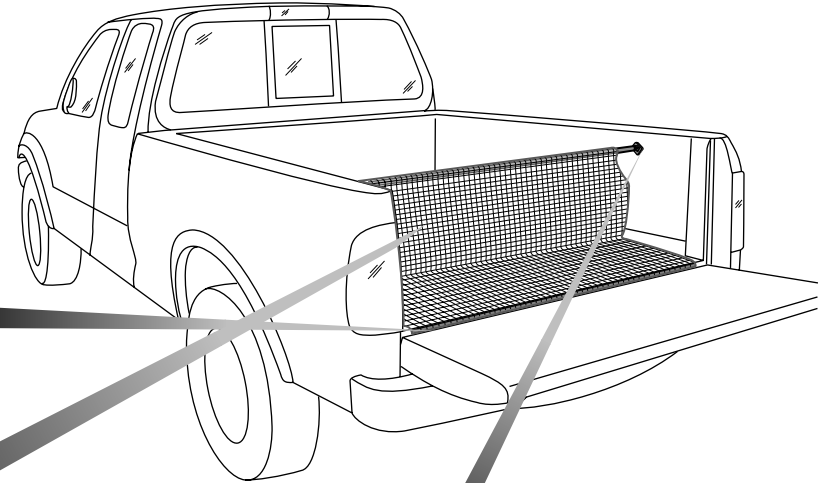
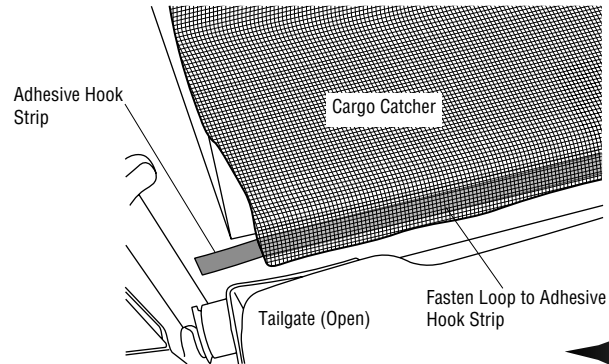
Reverse Step Two to put the bar back together.



## Step Four

### Secure Cargo Catcher to Adhesive Hook Strip.

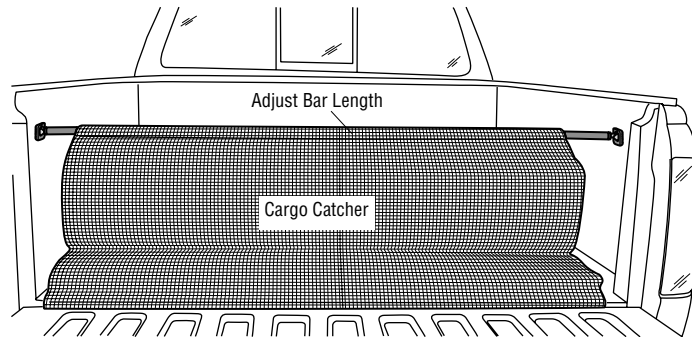
Orient the Cargo Catcher so that the loop sewn along the bottom edge of the fabric aligns with the Adhesive Hook Strip installed in Step One. Once the Adhesive Hook Strip has cured for 1 hour, the loop on the Cargo Catcher may be fastened to the hook, but avoid unnecessary fastening and unfastening of the Catcher for 72 hours.



## Step Five

### Adjust Length of Universal Cargo Bar.

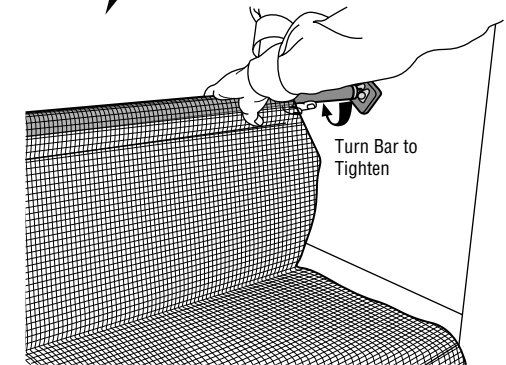
Place the bar on top of the truck bed making sure that the seam along the top is straight. Use the adjustment holes in the bar to adjust the length as needed to fit the vehicle.



## Step Six

### Tighten Cargo Catcher.

Turn the ends of the Universal Cargo Bar to snug the feet against the inside of the body. Once the feet are snug, turn the bar as needed to tighten it completely.



### LIMITED WARRANTY

We warrant our product to be free from defects in material and workmanship, for terms specified below, provided there has been normal use and proper maintenance. This warranty applies to the original purchaser only. All remedies under this warranty are limited to the repair or replacement of any item or items found by the factory to be defective within the time period specified.

If you have a warranty claim, first you must call our factory at the number below for instructions. You must retain proof of purchase and submit a copy with any items returned for warranty work. Upon completion of warranty work, if any, we will return the repaired or replaced item or items to you freight prepaid. Damage to our products caused by accidents, fire, vandalism, negligence, misinstallation, misuse, Acts of God, or by defective parts not manufactured by us, is not covered under this warranty.

THE WARRANTY TIME PERIOD IS AS FOLLOWS: ALL "GOODS" MANUFACTURED BY OUR COMPANY: ONE YEAR FROM DATE OF PURCHASE.

ANY IMPLIED WARRANTIES OF MERCHANTABILITY AND/OR FITNESS FOR A PARTICULAR PURPOSE CREATED HEREBY ARE LIMITED IN DURATION TO THE SAME DURATION AND SCOPE AS THE EXPRESS WRITTEN WARRANTY. OUR COMPANY SHALL NOT BE LIABLE FOR ANY INCIDENTAL OR CONSEQUENTIAL DAMAGE.

Some states do not allow limitations on how long an implied warranty lasts, or the exclusion or limitation of incidental or consequential damages, so the above limitations or exclusions may not apply to you.

This warranty gives you specific legal rights, and you may also have other rights which vary from state to state.

For further information, please contact:

Bestop Inc.  
Customer Service  
(800)346-3910  
(303)465-1755

