



Half Door Pin Insert Installation Instructions



For: Wrangler / YJ (1986 - 1995)

Part Number: 51247

	WARNING
<p>This product is designed to enhance the appearance of the vehicle. Do not rely in any way on the components of this product to contain occupants within the vehicle, or to protect against injury or death in the event of an accident. Never operate vehicle in excess of manufacturer's specifications.</p>	
WEAR SEAT BELTS AT ALL TIMES	
<p>Read and follow, precisely, all installation instructions provided when installing this product. Failure to do so could place occupants of the vehicle in a potentially dangerous situation. After installing or reinstalling, check to make sure it has been properly installed.</p>	

Table of Contents	
HALF DOOR PIN INSERT PARTS LIST	PAGE 2
HALF DOOR PIN INSERT TOOLS NEEDED	PAGE 2
HALF DOOR PIN INSERT INSTALLATION	PAGE 2
HALF DOOR PIN INSERT WARRANTY.....	PAGE 2

Installation Tips

Before you begin installing this Half Door Pin Insert, read all instructions thoroughly.

Parts List

Half Door Pin Inserts, Qty - 3

Installation

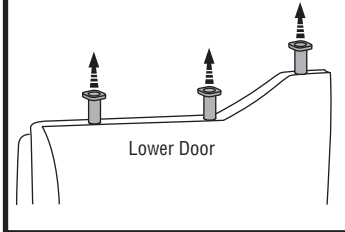
Tools Needed

Needle Nose Pliers
Safety Glasses

Step One

Remove Old Pin Inserts

Lift up on the flange part of the old pin inserts and pull them out of the door.

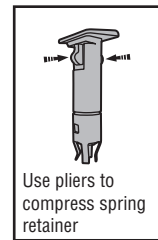
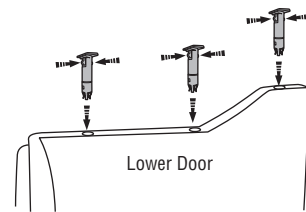


Step Two

Install Half Door Pin Inserts

Use needle nose pliers to compress the plastic spring retainer just below the flange on one of the inserts. When the spring section of the insert enters the hole in the lower door, remove the pliers and push down on the insert to set it in the hole.

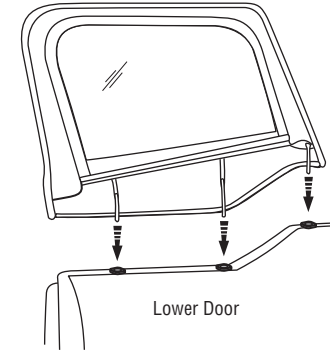
Repeat this with the other two inserts.



Step Three

Install the Upper Half Door

Slide the pins on the Upper Half Door into the Half Door Pin Inserts.



LIMITED WARRANTY

We warrant our product to be free from defects in material and workmanship, for terms specified below, provided there has been normal use and proper maintenance. This warranty applies to the original purchaser only. All remedies under this warranty are limited to the repair or replacement of any item or items found by the factory to be defective within the time period specified.

If you have a warranty claim, first you must call our factory at the number below for instructions. You must retain proof of purchase and submit a copy with any items returned for warranty work. Upon completion of warranty work, if any, we will return the repaired or replaced item or items to you freight prepaid. Damage to our products caused by accidents, fire, vandalism, negligence, misinstallation, misuse, Acts of God, or by defective parts not manufactured by us, is not covered under this warranty.

THE WARRANTY TIME PERIOD IS AS FOLLOWS: ALL "GOODS" MANUFACTURED BY OUR COMPANY: ONE YEAR FROM DATE OF PURCHASE.

ANY IMPLIED WARRANTIES OF MERCHANTABILITY AND/OR FITNESS FOR A PARTICULAR PURPOSE CREATED HEREBY ARE LIMITED IN DURATION TO THE SAME DURATION AND SCOPE AS THE EXPRESS WRITTEN WARRANTY. OUR COMPANY SHALL NOT BE LIABLE FOR ANY INCIDENTAL OR CONSEQUENTIAL DAMAGE.

Some states do not allow limitations on how long an implied warranty lasts, or the exclusion or limitation of incidental or consequential damages, so the above limitations or exclusions may not apply to you.

This warranty gives you specific legal rights, and you may also have other rights which vary from state to state.

For further information, please contact:

Bestop Inc.
Customer Service
(800)346-3910
(303)465-1755