



# Cockpit Rack Bracket Installation Instructions

For: Wrangler, 1986 - 2002

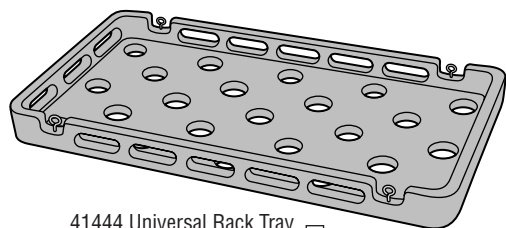
Part Number: 41403



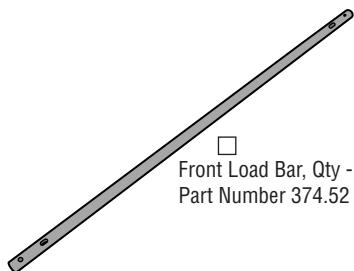
|  |                |
|--|----------------|
|  | <b>WARNING</b> |
| <p>This product is designed to enhance the appearance of the vehicle. Do not rely in any way on the components of this product to contain occupants within the vehicle, or to protect against injury or death in the event of an accident. Never operate vehicle in excess of manufacturer's specifications.</p> |                |
| <b>WEAR SEAT BELTS AT ALL TIMES</b>  |                |
| <p>Read and follow, precisely, all installation instructions provided when installing this product. Failure to do so could place occupants of the vehicle in a potentially dangerous situation. After installing or reinstalling, check to make sure it has been properly installed.</p>                         |                |

|   |        |
|---|--------|
| <b>Table of Contents</b>                          |        |
| COCKPIT RACK BRACKET PARTS LIST .....             | PAGE 2 |
| COCKPIT RACK BRACKET HARDWARE IDENTIFICATION..... | PAGE 2 |
| COCKPIT RACK BRACKET TOOLS NEEDED.....            | PAGE 2 |
| COCKPIT RACK BRACKET INSTALLATION .....           | PAGE 2 |
| COCKPIT RACK BRACKET WARRANTY .....               | PAGE 3 |

## Parts List and Hardware Identification

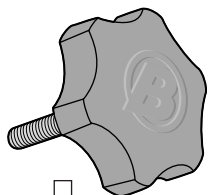
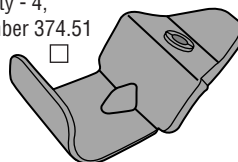


41444 Universal Rack Tray  
(Sold Separately), Qty - 1

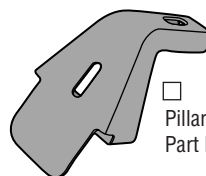


Front Load Bar, Qty - 2,  
Part Number 374.52

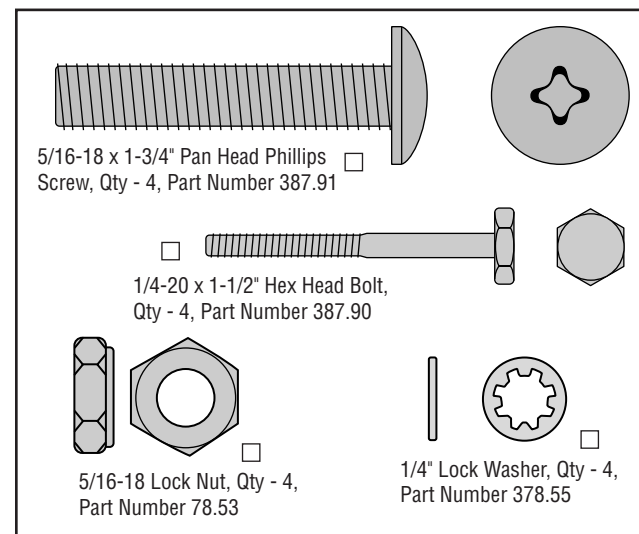
Clamp, Qty - 4,  
Part Number 374.51



Knob, Qty - 4,  
Part Number 374.54



Pillar, Qty - 4,  
Part Number 374.50



### Tools Needed

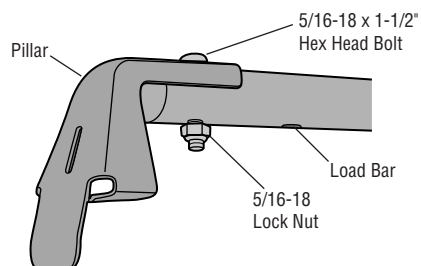
#2 Phillips Screwdriver  
7/16" Wrench  
1/2" Wrench

## Installation

### Step One

#### INSTALL PILLARS ON LOAD BARS

Locate the Pillars and Load Bars in the parts kit. Use a 5/16-18 x 1-1/2" Hex Bolt and a 5/16-18 Lock Nut to install a Pillar on the end of each Load Bar. Leave the fasteners loose for later adjustment.



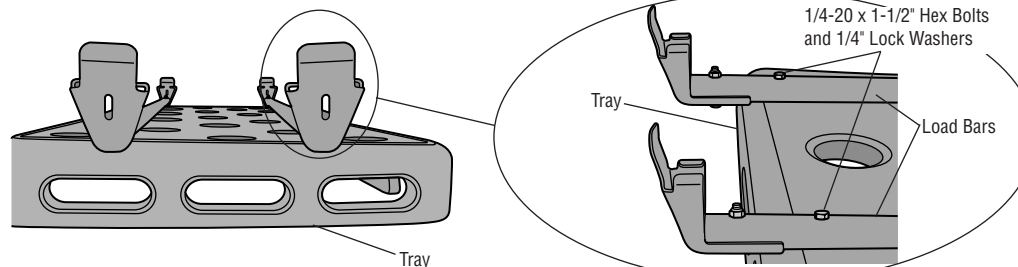
### Caution

DO NOT overtighten the bolts that attach the Pillars to the Tray. This may strip the aluminum inserts in the Tray.

### Step Two

#### INSTALL LOAD BARS ON TRAY ASSEMBLY

Turn the Tray over and place the Load Bar Assemblies on the bottom of the Tray with the Pillars perpendicular to the Tray. Fasten the Load Bars directly to the bottom of the Tray with two 1/4-20 x 1-1/2" Hex Bolts and two 1/4" Lock Washers for each Load Bar.

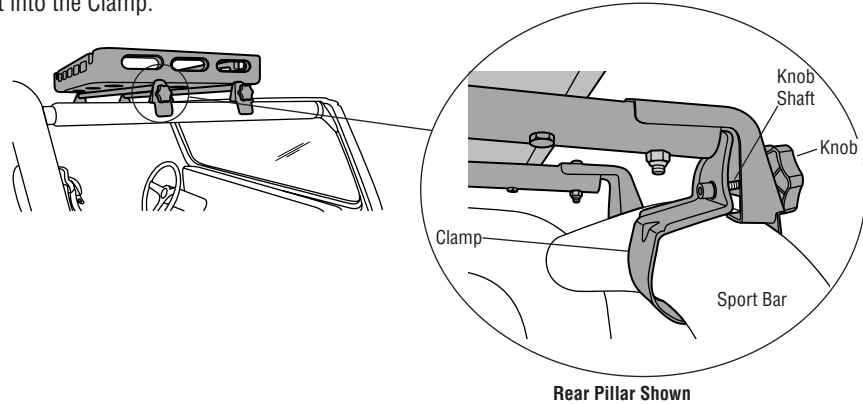


**Note:** Hold the Lock Washers while tightening the bolts so that they don't fall into the slot.

## Step three

### INSTALL TRAY ASSEMBLY ON VEHICLE

Place the Tray Assembly on top of the front sport bars. Use a Knob and Clamp to secure each Pillar to the sport bar. Place a clamp around the sport bar behind the slot in the Pillar. Push the Clamp and Pillar together, insert the Knob shaft into the slot in the Pillar and thread it into the Clamp.



## Step Four

### Tighten Fasteners

Fully tighten the screws that attach the Load Bar to the Pillars. Make sure that the Knobs are tight before using the Tray.



### Caution

DO NOT load the Tray with more than 100 evenly distributed pounds.

## LIMITED WARRANTY

We warrant our product to be free from defects in material and workmanship, for terms specified below, provided there has been normal use and proper maintenance. This warranty applies to the original purchaser only. All remedies under this warranty are limited to the repair or replacement of any item or items found by the factory to be defective within the time period specified.

If you have a warranty claim, first you must call our factory at the number below for instructions. You must retain proof of purchase and submit a copy with any items returned for warranty work. Upon completion of warranty work, if any, we will return the repaired or replaced item or items to you freight prepaid. Damage to our products caused by accidents, fire, vandalism, negligence, misinstallation, misuse, Acts of God, or by defective parts not manufactured by us, is not covered under this warranty.

**THE WARRANTY TIME PERIOD IS AS FOLLOWS: ALL "GOODS" MANUFACTURED BY OUR COMPANY: ONE YEAR FROM DATE OF PURCHASE.**

**ANY IMPLIED WARRANTIES OF MERCHANTABILITY FITNESS FOR A PARTICULAR PURPOSE CREATED HEREBY ARE LIMITED IN DURATION TO THE SAME DURATION AND SCOPE AS THE EXPRESS WRITTEN WARRANTY. OUR COMPANY SHALL NOT BE LIABLE FOR ANY INCIDENTAL OR CONSEQUENTIAL DAMAGE.**

Some states do not allow limitations on how long an implied warranty lasts, or the exclusion or limitation of incidental or consequential damages, so the above limitations or exclusions may not apply to you.

This warranty gives you specific legal rights, and you may also have other rights which vary from state to state.

For further information, please contact:

Bestop Inc.  
Customer Service  
(800)845-3567  
(303)465-1755

